

A1 INSTALLATION DRAWING

IF THIS DOCUMENT IS PRINTED IN HARDCOPY, IT IS FOR INFORMATION USE ONLY AND THEREFORE IS NOT SUBJECT TO UPDATING CONTROLS. ALWAYS REFER TO SOLIDWORKS VIEWER FOR LATEST ISSUE



THIS DRAWING IS CONFIDENTIAL AND IS SUPPLIED ON THE EXPRESS CONDITION THAT IT SHALL NOT BE LOANED OR COPIED OR DISCLOSED TO ANY OTHER PERSON OR USED FOR ANY OTHER PURPOSE WITHOUT THE WRITTEN CONSENT OF AP RACING LTD.



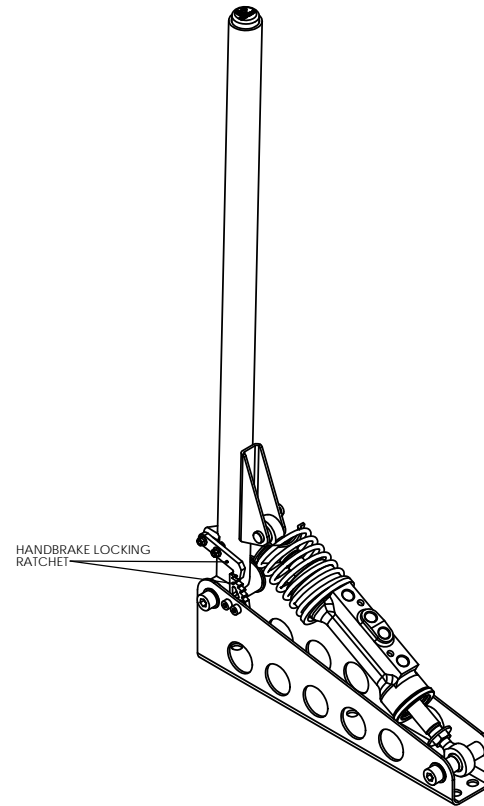
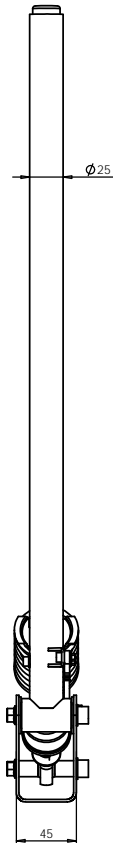
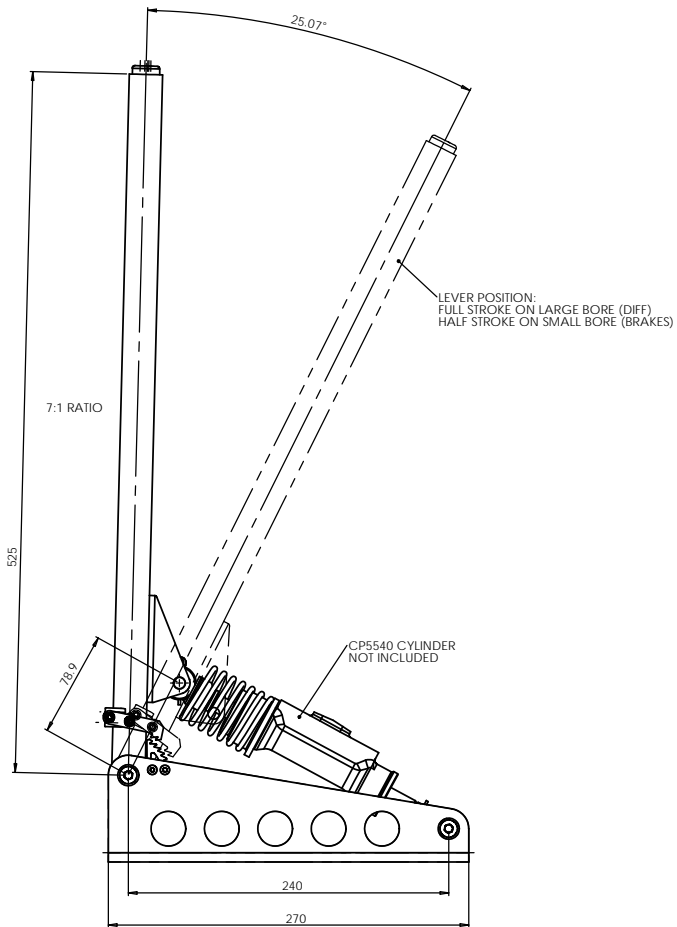
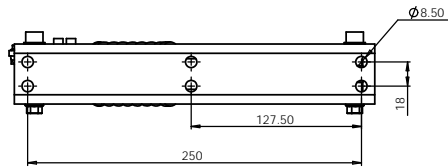
AP Racing
Wheler Road
Coventry
CV3 4LB

Tel: +44 (0) 24 7663 9595
Fax: +44 (0) 24 7663 9559
e-mail: engineering@apracings.co.uk
Web site: http://www.apracings.com

© AP Racing Ltd. 2005

CP4780-4 HANDBRAKE TO SUIT CP5540 ROD END MOUNTED MASTER CYLINDER.

APPROXIMATE WEIGHT NOT INCLUDING MASTER CYLINDER 1.6KG



ISSUE No.	Alterations		
	Date & No.	Particulars	Zone Initials
1	03/08/12 B6574	FIRST ISSUE	SAT
2	13/08/12 B6574	LEVER POSITION NOTE UPDATED	5F SAT
3	08/10/12 B6574	CYLINDER LINKAGE TO LEVER UPDATED	SAT
4	21/11/13	APPROXIMATE WEIGHT ADDED	SAT

SCALE 1:2	SHEET 1 OF 1
DRAWN	Steve Thomas
APPROVED	
DERIVED FROM	
TITLE HANDBRAKE INSTALLATION TO SUIT CP5540 M/CYL	
DRG NO.	CP4780-4CD